

FB Series CD71H型

BI-POLAR, WIDE TEMPERATURE 双极性宽温品

- 双极性，标准品，用于极性翻转或极性变换的电路中
Bi-polar Standard series, used in polarity reverse and change circuits.
- ROHS指令已对应完毕
Adapted to the ROHS directive.

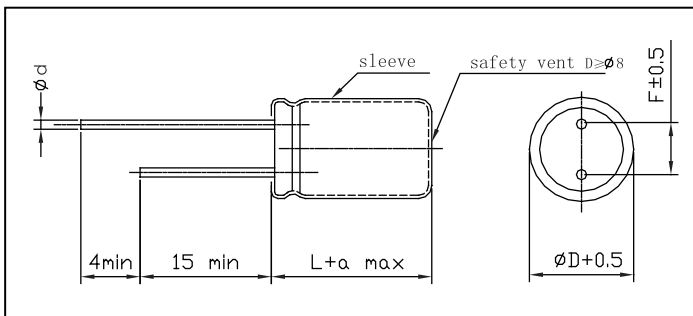


主要技术性能 Specification

项目 Item	特性 Performance Characteristics																											
使用温度范围 Operating temperature range	-40℃~ +105℃																											
额定电压范围 Rated voltage range	6.3 ~ 100 V																											
标称电容容量范围 Nominal capacitance range	0.47~ 6800µF																											
标称电容容量允许偏差 Capacitance tolerance	± 20% (120Hz, +20℃)																											
正反向漏电流 Leakage current	1 ≤ 0.03CV +3(µA) 2分钟 (at 20℃, after 2 minutes)																											
损耗角正切值 (tg δ) Dissipation factor (+20℃, 120Hz)	<table border="1"> <tr> <td>U_R (V)</td> <td>6.3</td> <td>10</td> <td>16</td> <td>25</td> <td>35</td> <td>50</td> <td>63</td> <td>100</td> </tr> <tr> <td>tg δ</td> <td>0.28</td> <td>0.24</td> <td>0.22</td> <td>0.20</td> <td>0.15</td> <td>0.14</td> <td>0.10</td> <td>0.09</td> </tr> </table>	U _R (V)	6.3	10	16	25	35	50	63	100	tg δ	0.28	0.24	0.22	0.20	0.15	0.14	0.10	0.09									
U _R (V)	6.3	10	16	25	35	50	63	100																				
tg δ	0.28	0.24	0.22	0.20	0.15	0.14	0.10	0.09																				
温度特性 Temperature characteristics (Impedance ratio at 120Hz)	<table border="1"> <tr> <td>U_R (V)</td> <td>6.3</td> <td>10</td> <td>16</td> <td>25</td> <td>35</td> <td>50</td> <td>63</td> <td>100</td> </tr> <tr> <td>Z-25℃ / +20℃</td> <td>4</td> <td>3</td> <td>2</td> <td>2</td> <td>2</td> <td>2</td> <td>2</td> <td>2</td> </tr> <tr> <td>Z-40℃ / +20℃</td> <td>10</td> <td>8</td> <td>6</td> <td>5</td> <td>4</td> <td>4</td> <td>3</td> <td>3</td> </tr> </table>	U _R (V)	6.3	10	16	25	35	50	63	100	Z-25℃ / +20℃	4	3	2	2	2	2	2	2	Z-40℃ / +20℃	10	8	6	5	4	4	3	3
U _R (V)	6.3	10	16	25	35	50	63	100																				
Z-25℃ / +20℃	4	3	2	2	2	2	2	2																				
Z-40℃ / +20℃	10	8	6	5	4	4	3	3																				
耐久性 Load life	<p>+105℃加额定电压1000小时 (每250小时反转极性一次) 恢复16小时后: After applying rated voltage for 1000 hours at +105℃ (with the polarity inverted every 250 hours) and then resumed for 16 hours:</p> <p>电容量变化率 Capacitance change : ±20%初始测量值以内 ±20% of the initial measured value 漏 电 流 Leakage current : ≤初始规定值 ≤the initial specified value 损耗角正切值 Dissipation factor : ≤2倍初始规定值 ≤2times of the initial specified value</p>																											
高温贮存 Shelf life	<p>+105℃, 1000小时贮存后, 恢复16小时后: After storage for 1000 hours at +105℃ and then resumed for 16 hours</p> <p>电容量变化率 Capacitance change : ±20%初始测量值以内 ±20% of the initial measured value 漏 电 流 Leakage current : ≤2倍初始规定值 ≤2times of the initial specified value 损耗角正切值 Dissipation factor : ≤2倍初始规定值 ≤2times of the initial specified value</p>																											

外形图及尺寸图 Case size table

单位Unit: mm



D	5	6.3	8	10	12.5	16	18
F	2.0	2.5	3.5	5.0	5.0	7.5	7.5
d	0.5	0.5, 0.6	0.6	0.6	0.6	0.8	0.8

α MAX	(L < 20)	1.5
	(L ≥ 20)	2.0

Lead

FB Series

■ 尺寸 Dimensions

∅D × L(mm)

电压U _R 容量C _R (μF) 代 码 Code		6.3V		10V		16V		25V		35V	
		0J		1A		1C		1E		1V	
0.47	R47										
1.0	010										
2.2	2R2										
3.3	3R3										
4.7	4R7									5×11	34
10	100					5×11	47	5×11	42	5×11	43
22	220			5×11	57	5×11	57	6.3×11	65	6.3×11	73
33	330	5×11	64	5×11	64	5×11	40	6.3×11	80	8×11.5	100
47	470	5×11	76	5×11	76	6.3×11	95	6.3×11	95	8×11.5	120
100	101	6.3×11	125	6.3×11	125	8×11.5	160	8×11.5	160	10×16	230
220	221	8×11.5	215	8×11.5	215	10×12.5	275	10×16	305	12.5×20	410
330	331	8×11.5	265	10×16	345	10×16	375	12.5×20	450	12.5×20	505
470	471	10×12.5	370	10×16	410	10×20	485	12.5×20	540	12.5×25	655
1000	102	10×20	650	12.5×20	720	16×25	855	16×25	950	16×30	1140
2200	222	12.5×25	1160	16×25	1280	16×30	1510	18×35	1620		
3300	332	16×25	1570	16×30	1690	18×35	1980				
4700	472	16×30	2020	18×35	2160						
6800	682	18×35	2600								

∅D × L(mm)

电压U _R 容量C _R (μF) 代 码 Code		50V		63V		100	
		1H		1J		2A	
0.47	R47	5×11	11			5×11	14
1.0	010	5×11	17			5×11	21
2.2	2R2	5×11	25			6.3×11	34
3.3	3R3	5×11	27	5×11	28	6.3×11	39
4.7	4R7	5×11	34	6.3×11	34	6.3×11	47
10	100	6.3×11	52	6.3×11	57	8×11.5	71
22	220	8×11.5	89	8×11.5	95	10×16	135
33	330	8×11.5	105	10×12.5	135	12.5×20	220
47	470	10×12.5	150	10×16	180	12.5×20	240
100	101	10×20	265	12.5×20	320	16×25	425
220	221	12.5×25	480	16×25	575	18×35	720
330	331	16×25	650	16×30	655		
470	471	16×30	835	18×35	965		

—— 额定纹波电流 Rated ripple current(mA,+105°C,120Hz)